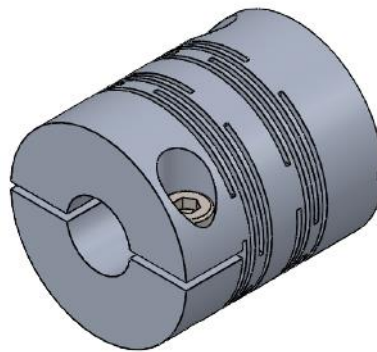
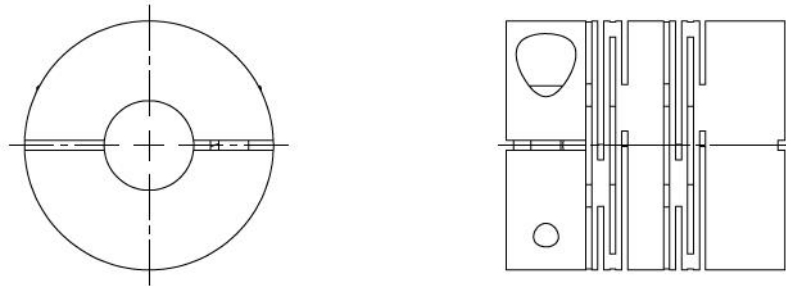



## Coupling Series KBFK



### General Information

The installation and operation instructions are an essential factor of the KBK slit couplings. It indicates tips for proper assembly, operation and maintenance. Please read these instructions carefully and follow the directions. Non-observance may result in failure of the KBK slit coupling.

 The couplings are available in ATEX version. Please note the supplementary operating- and assembly instructions for areas with potentially explosive atmospheres.

### Safety Instructions



**ATTENTION!**

- Installation may be performed by trained and specialized staff only.
- Rotating couplings are hazard areas. The user/operator has to ensure appropriate protective measures. Do not reach into the operation area of the coupling if it is still in operation. Secure the machine against unintentional power-up during assembly work.

### Manufacturer's Declaration

In accordance with directive 2006/42/EC annex IIB, slit couplings are no machines as per the machinery directive, but components for installations in machines. Operation is not permitted, unless the directives according to the machinery directives are complied with upon integration in the final product.

## Slit coupling with clamping hub: KBFK



### Function

KBK slit couplings are flexible shaft couplings.  
The slit coupling compensates lateral, axial and angular misalignment with low restoring forces.

### Shaft-hub connections

KBK slit couplings may only be used in accordance with the technical data stated in the catalogue. Any subsequent processing is not permitted.

### Preparation for assembly

During assembly and disassembly, the slit couplings must not be deformed more than three times higher than the permissible misalignment values mentioned in the catalogue. Avoid using any force. The shafts and bores of the hubs to be connected must be free from dirt and burrs. Please check the connection dimensions of the shafts (as well as the dimensions regarding the key) and the tolerances. KBK slit couplings have got an H7 fit. This fitting tolerance and the shaft extension facilitate both assembly and disassembly. The recommended fitting tolerance is 0,02mm - 0,05mm.



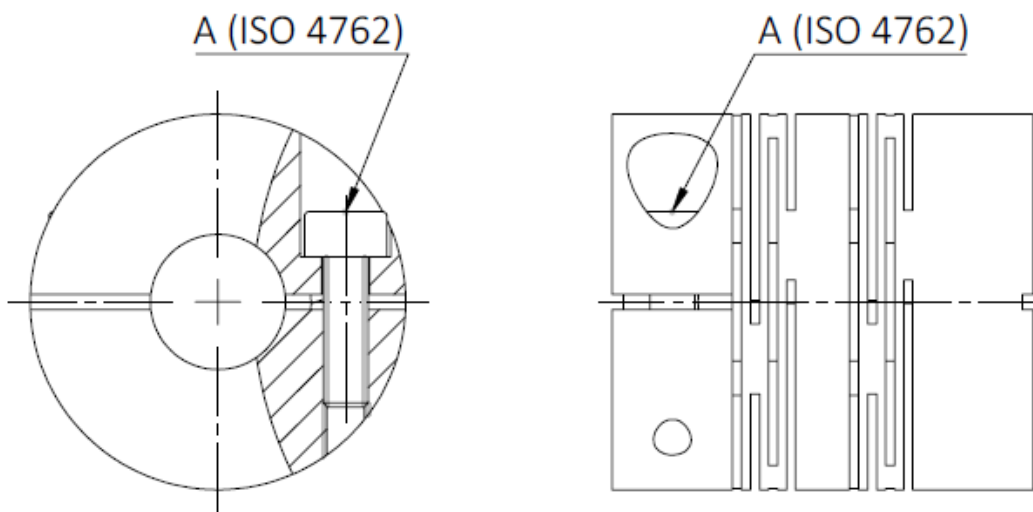
**ATTENTION!**

Any oils and fats including molybdenum disulfide or any other high-pressure additives as well as lubricating pastes may not be used.

## Assembly

Slide the complete coupling onto the stub shaft. In the correct axial position, tighten the clamping screws (A) to the torque indicated in the table by using a torque wrench. Then insert the second stub shaft (e.g. a rotary encoder) and in the correct axial position, when the slit coupling is free of axial load, tighten the clamping screws as mentioned before.

KBFK /	16	18	20	22	25	30	40	50	60	70	80
T <sub>A</sub> (Nm) (A)	1	1	1	1	1.5	3.4	7	14	27	27	27

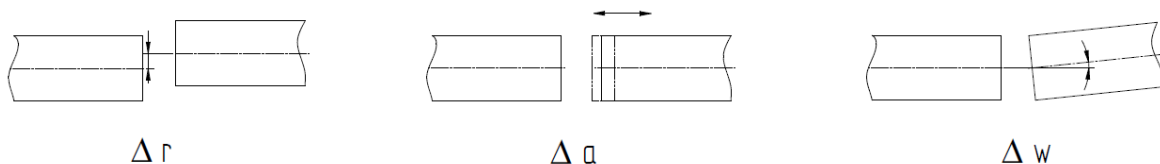


## Disassembly

When disassembling the KBK slit coupling, loosen the clamping screws (A).

## Maximum Misalignment

KBK slit couplings compensate lateral, axial and angular shaft misalignment.



$$\sum \left[ \frac{\Delta r}{\Delta r_n} * 100\% + \frac{\Delta a}{\Delta a_n} * 100\% + \frac{\Delta w}{\Delta w_n} * 100\% \right] < 100\%$$

Definition	
$\Delta r$	Radial misalignment ( installed condition )
$\Delta a$	Axial misalignment ( installed condition )
$\Delta w$	Angular misalignment (installed condition)
$\Delta r_n$	Maximum permissible radial misalignment ( according to catalogue )
$\Delta a_n$	Maximum permissible axial misalignment (according to catalogue)
$\Delta w_n$	Maximum permissible angular misalignment (according to catalogue)



The maximum guideline value for the different misalignments can be found in our catalogue under 'technical information'. They provide security to compensate operation-related external influences e.g. thermal expansions and / or sinking foundation.



Lateral misalignment has a negative effect on the service life of the slit coupling. An exact alignment of the coupling increases the service life considerably. The load for neighboring bearings is reduced and this will have a positive effect on the running smoothness of the entire driveline.

**Maintenance**

KBK slit couplings are maintenance-free. Regular inspection intervals should include a visual check of the KBK slit couplings. If KBK slit couplings are used as intended, they will have a long-lasting durability.

**Transportation**

KBK slit couplings are delivered ready for installation. Upon incoming goods inspection the slit couplings should be stored in their original packaging and in this way they should be made available for installation. Operating and installation instructions should be always accessible for everybody at the installation location upon installation.