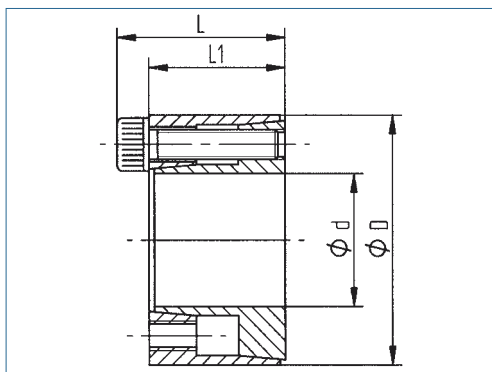


## Locking Device

optional  
nickel-plated version  
optional full stainless  
steel version



transmittable torque	medium
surface pressure on hub	low
self-centering	yes
axial movement of the hub during assembly	yes
height D/d	medium
overall length	medium

Order Code

**KBS 61 - 15 x 28**

Type

Ød

ØD

Recommended finishing tolerances of contact surfaces are: shaft h8 / hub H8

Inner / Outer Ø dxD	Torque T Nm	Dimensions		Surface pressure on		Screws			Mass kg
		L mm	L1 mm	Shaft Pw N/mm <sup>2</sup>	Hub Pn N/mm <sup>2</sup>	No.	ISO 4762	TA Nm	
5 x 16	6	13.5	11	150	55	3	M2.5x10	1.2	0.012
6 x 16	6	13.5	11	150	55	3	M2.5x10	1.2	0.012
6.35 x 16	6	13.5	11	140	55	3	M2.5x10	1.2	0.012
7 x 17	8	13.5	11	125	55	3	M2.5x10	1.2	0.013
8 x 18	10	13.5	11	110	50	3	M2.5x10	1.2	0.015
9 x 20	15	15.5	13	120	55	4	M2.5x12	1.2	0.020
9.53 x 20	15	15.5	13	110	55	4	M2.5x12	1.2	0.020
10 x 20	15	15.5	13	110	55	4	M2.5x12	1.2	0.019
11 x 22	18	15.5	13	100	50	4	M2.5x12	1.2	0.024
12 x 22	20	15.5	13	90	50	4	M2.5x12	1.2	0.022
14 x 26	35	20	17	105	55	4	M3x16	2.1	0.039
15 x 28	40	20	17	100	50	4	M3x16	2.1	0.044
16 x 32	70	21	17	130	65	4	M4x16	4.9	0.067
17 x 35	75	25	21	120	60	4	M4x20	4.9	0.090
18 x 35	80	25	21	115	60	4	M4x20	4.9	0.087
19 x 35	85	25	21	110	60	4	M4x20	4.9	0.083
20 x 38	220	26	21	220	115	6	M5x20	9.7	0.100
22 x 40	240	26	21	200	110	6	M5x20	9.7	0.110
24 x 47	380	32	26	220	110	6	M6x25	16.5	0.200
25 x 47	390	32	26	210	110	6	M6x25	16.5	0.190
25.4 x 47	390	32	26	210	110	6	M6x25	16.5	0.190
28 x 50	440	32	26	185	100	6	M6x25	16.5	0.220
30 x 55	470	32	26	175	95	6	M6x25	16.5	0.270
32 x 55	500	32	26	165	95	6	M6x25	16.5	0.250
35 x 60	730	37	31	165	95	8	M6x30	16.5	0.360
38 x 65	800	37	31	155	90	8	M6x30	16.5	0.430
40 x 65	840	37	31	145	90	8	M6x30	16.5	0.400
42 x 75	1200	44	36	165	90	6	M8x35	40	0.670
45 x 75	1300	44	36	155	90	6	M8x35	40	0.630
48 x 80	1850	44	36	195	115	8	M8x35	40	0.740
50 x 80	1900	44	36	185	115	8	M8x35	40	0.700
55 x 85	2772	52	42	270	174	8	M8x40	40	0.770
60 x 90	3060	52	42	248	166	8	M8x40	40	0.820
65 x 95	3645	52	42	253	174	9	M8x40	40	0.880
70 x 110	5724	58	48	283	182	8	M10x45	80	1.590