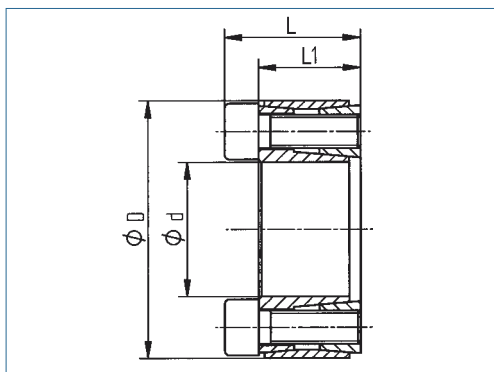


Locking Device

optional
nickel-plated version
optional full stainless
steel version



KBK



transmittable torque	medium
surface pressure on hub	medium
self-centering	yes
axial movement of the hub during assembly	no
height D/d	medium
overall length	short

Order Code

KBS 52 - 20 x 42

Type

Ød

ØD

Recommended finishing tolerances of contact surfaces are: shaft h8 / hub H8

Inner / Outer dxD	Torque T Nm	Dimensions		Surface pressure on		Screws			Mass kg
		L mm	L1 mm	Shaft Pw N/mm ²	Hub Pn N/mm ²	No.	ISO 4762	TA Nm	
16 x 32	82	21	17	135	68	4	M4x14	5	0.07
18 x 40	211	24	18	234	105	4	M6x16	17	0.12
19 x 41	223	24	18	221	103	4	M6x16	17	0.12
20 x 42	235	24	18	210	100	4	M6x16	17	0.13
22 x 44	258	24	18	191	96	4	M6x16	17	0.14
24 x 46	423	24	18	175	91	6	M6x16	17	0.15
25 x 47	440	24	18	224	119	6	M6x16	17	0.17
28 x 50	493	24	18	200	112	6	M6x16	17	0.17
30 x 52	528	24	18	187	108	6	M6x16	17	0.17
32 x 54	564	24	18	175	104	6	M6x16	17	0.22
35 x 57	822	28	22	221	136	8	M6x18	17	0.23
36 x 58	845	28	22	215	134	8	M6x18	17	0.25
38 x 60	892	28	22	204	129	8	M6x18	17	0.28
40 x 62	939	28	22	194	125	8	M6x18	17	0.29
42 x 70	1784	36	28	265	159	8	M8x25	41	0.46
45 x 73	1911	36	28	247	152	8	M8x25	41	0.50
48 x 76	2039	36	28	232	146	8	M8x25	41	0.51
50 x 78	2124	36	28	223	143	8	M8x25	41	0.52
55 x 83	2628	36	28	270	179	9	M8x25	41	0.62
60 x 88	2867	36	28	247	169	9	M8x25	41	0.65
65 x 93	3106	36	28	228	160	9	M8x25	41	0.69
70 x 105	5287	45	35	233	155	9	M10x25	83	1.20
75 x 110	5664	45	35	217	148	9	M10x25	83	1.26
80 x 115	6042	45	35	271	189	9	M10x25	83	1.35
85 x 120	7133	45	35	255	181	10	M10x25	83	1.40
90 x 125	7553	45	35	241	174	10	M10x25	83	1.46
95 x 130	7972	45	35	228	167	10	M10x25	83	1.50
100 x 138	8392	48	38	206	150	10	M10x25	83	1.75
110 x 148	9231	48	38	188	139	10	M10x25	83	2.20