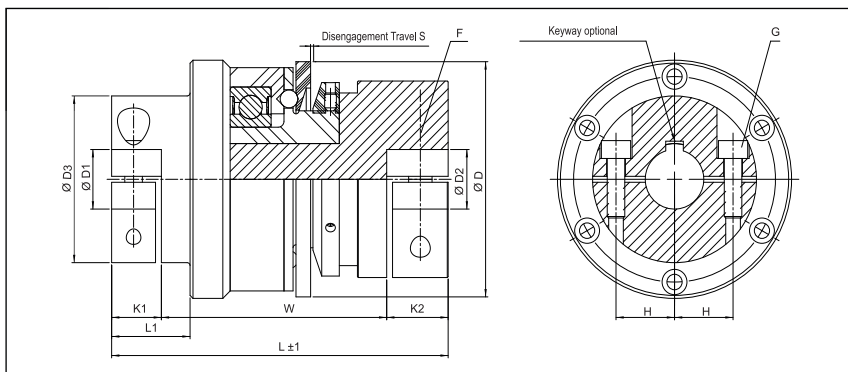


Safety Couplings
with Rigid Shaft Coupling

optional
nickel-plated version
optional full stainless
steel version

KBK/THH

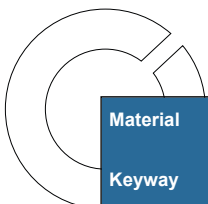


Order Code

KBK/THH - 60 - 115 - 20H7 - 25H7 - 35Nm - C oder **D - 2**

Type Size Length ØD1 (H7) ØD2 (H7) Disengagement Torque Torque Range
C = Single Position D = Multi Position Engagement

Size	Dimensions (mm)												Technical Data				
	ØD	L	Ø D1	Ø D2	Ø D3	K1	G	F	L1	S	W	H	max. speed (1/min)	Mass (kg)	Moment of Inertia J (kg cm ²)	Torque Range	
	Outer Ø	Length	Bore Size (H7) min~max	Bore Size (H7) min~max		K2										Screw (ISO4762) TA (Nm)	Screw (ISO4762) TA (Nm)
-10	50	62	6-18 #18	6-25 #25	32.5	8.5 9	M4x12 4.5	M4x12 4,5	13	0.7	44.5	12	12000	0.37	0.98	3-7	5-10
-30	64	93	6-25 #25	10-32 #30	40.5	13 17	M4x12 4.5	M6x16 15	17.8	1.2	63	15.5	9400	0.86	3.78	5-7	10-30
-60	80	115	10-32 #30	12-35	56	17 21	M6x20 15	M8x20 40	26.8	1.2	77	20	7800	1.75	11.57	13-35	20-65
-80	95	132	12-35	12-44	66	21 23.5	M8x20 40	M10x30 84	30.6	2	87.5	23.5	6400	2.8	27.23	15-40	30-80
-150	95	132	12-35	12-44	66	21 23.5	M8x20 40	M10x30 84	30.6	2	87.5	23.5	6400	2.8	27.23	50-130	650-150
-300	119	150	14-44	20-60	82	23.5 28	M10x30 84	M12x35 145	35.3	2	98.5	28	5000	5.5	84.84	60-200	150-300
-500	129	170	22-47	35-70	90	26.5 35.5	M12x35 145	M12x40 145	39.5	2	108	31	4500	7.0	130	80-250	200-500



Material	collet clamp: aluminium
Keyway	optional acc. DIN 6885 biggest bore marked with a #
Temperature Range	-30 °C ~ 120 °C