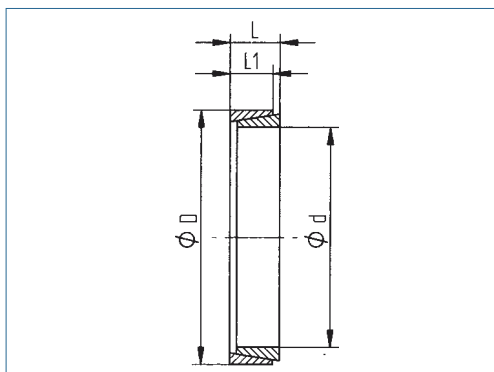


Locking Element

optional
nickel-plated version
optional full stainless
steel version



transmittable torque	low
surface pressure on hub	low
self-centering	no
axial movement of the hub during assembly	no
height D/d	flat
overall length	short

Order Code

KBS 50 - 24 x 28 (-G)

Type Ød ØD slit

Recommended finishing tolerances of contact surfaces are: shaft h8 / hub H8

Inner / Outer Ø dxD	Torque T Nm	Dimensions		Surface pressure on		Tension Force FA N	Mass kg
		L mm	L1 mm	Shaft Pw N/mm ²	Hub Pn N/mm ²		
6 x 9#	2.4	4.5	3.7	115	75	3800	0.0012
7 x 10#	3	4.5	3.7	105	70	3900	0.0014
8 x 11#	4.7	4.5	3.7	120	90	5300	0.0015
9 x 12	7.9	4.5	3.7	140	105	15600	0.0017
10 x 13	9.5	4.5	3.7	135	105	15600	0.0018
12 x 15	11.4	4.5	3.7	115	90	15600	0.0021
13 x 16	13.1	4.5	3.7	110	90	15600	0.0023
14 x 18	22.3	6.3	5.3	115	90	25400	0.0049
15 x 19	24.3	6.3	5.3	110	85	25400	0.0053
16 x 20	27.3	6.3	5.3	105	85	25400	0.0055
17 x 21	29.8	6.3	5.3	105	85	25400	0.0058
18 x 22	32.4	6.3	5.3	100	80	25400	0.0061
19 x 24	49	6.3	5.3	140	110	36000	0.0078
20 x 25	53	6.3	5.3	135	105	36000	0.0082
22 x 26	66	6.3	5.3	135	115	36000	0.0072
24 x 28	73	6.3	5.3	130	110	36000	0.0080
25 x 30	72	6.3	5.3	115	95	36000	0.0100
28 x 32	86	6.3	5.3	115	100	36000	0.0090
30 x 35	91	6.3	5.3	100	85	45000	0.0120
32 x 36	131	6.3	5.3	130	115	54000	0.0100
35 x 40	171	7.0	6.0	125	110	54000	0.0170
36 x 42	169	7.0	6.0	115	100	54000	0.0200
38 x 44	181	7.0	6.0	110	95	66000	0.0210
40 x 45	231	8.0	6.6	115	105	66000	0.0230
42 x 48	235	8.0	6.6	110	95	99000	0.0280
45 x 52	353	10.0	8.6	105	95	132000	0.0420
48 x 55	572	10.0	8.6	155	135	132000	0.0450
50 x 57	602	10.0	8.6	150	130	132000	0.0470
55 x 62	670	10.0	8.6	140	125	132000	0.0500
56 x 64	790	12.0	10.4	130	115	157200	0.0670

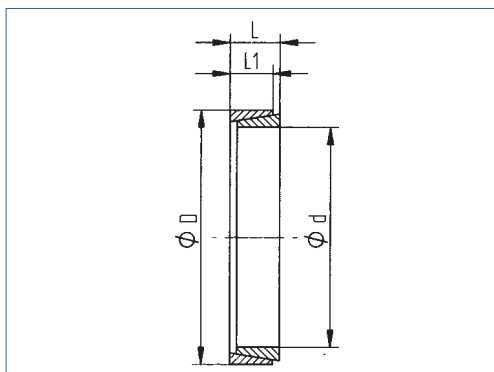
automatically slit

All sizes are also available in a slotted version to increase the torque transmission.

KBS 50 size 60-220: page 35

Locking Element

optional
nickel-plated version
optional full stainless
steel version



transmittable torque	low
surface pressure on hub	low
self-centering	no
axial movement of the hub during assembly	no
height D/d	flat
overall length	short

Order Code **KBS 50** - **24** x **28** (-G)
Type Ød ØD slit

Recommended finishing tolerances of contact surfaces are: shaft h8 / hub H8

Inner / Outer Ø dxD	Torque T Nm	Dimensions		Surface pressure on		Tension Force FA N	Mass kg
		L mm	L1 mm	Shaft Pw N/mm ²	Hub Pn N/mm ²		
60 x 68	860	12	10.4	125	110	157200	0.072
63 x 71	910	12	10.4	120	105	157200	0.077
65 x 73	950	12	10.4	115	100	157200	0.079
70 x 79	1380	14	12.2	125	110	209600	0.110
75 x 84	1450	14	12.2	115	100	209600	0.130
80 x 91	2200	17	15.0	125	105	290000	0.190
85 x 96	2400	17	15.0	120	106	312000	0.200
90 x 101	2750	17	15.0	120	107	325000	0.200
95 x 106	3060	17	15.0	120	108	339000	0.200
100 x 114	4230	21	18.7	120	105	452000	0.400
110 x 124	5120	21	18.7	120	106	492000	0.400
120 x 134	6090	21	18.7	120	107	527000	0.500
130 x 148	9670	28	25.3	120	105	783300	0.800
140 x 158	11200	28	25.3	120	106	830200	0.900
150 x 168	12900	28	25.3	120	107	877800	1.000
160 x 178	14700	28	25.3	120	108	926000	1.000
170 x 191	19600	33	30.0	120	107	1180000	1.500
180 x 201	22000	33	30.0	120	107	1234700	1.600
190 x 211	24500	33	30.0	120	108	1295300	1.700
200 x 224	31500	38	34.8	120	107	1591700	2.300
210 x 234	34700	38	34.8	120	108	1655900	2.500
220 x 244	38100	38	34.8	120	108	1720600	2.600

All sizes are also available in a slotted version to increase the torque transmission.