

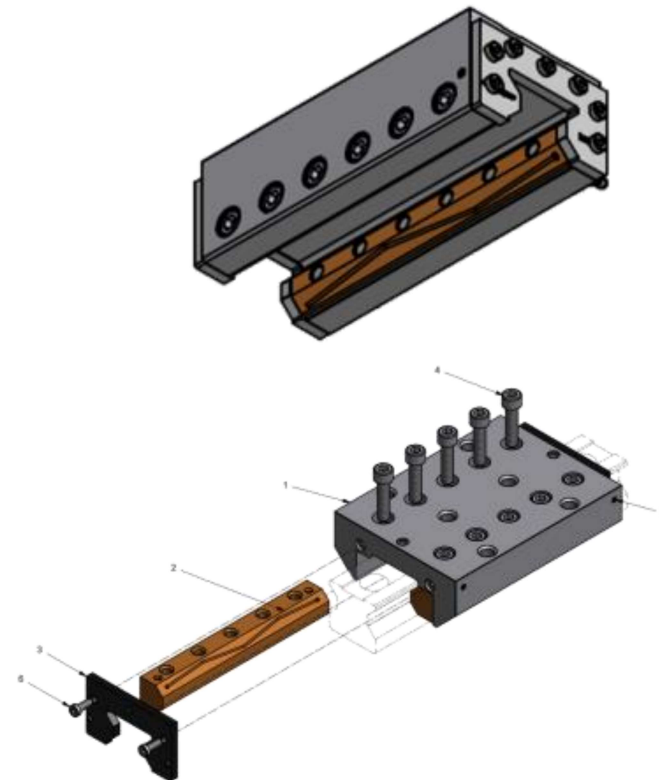
Sliding carriages on MR-rails

Growing field: sliding carriage for MR-rail with Ampco®

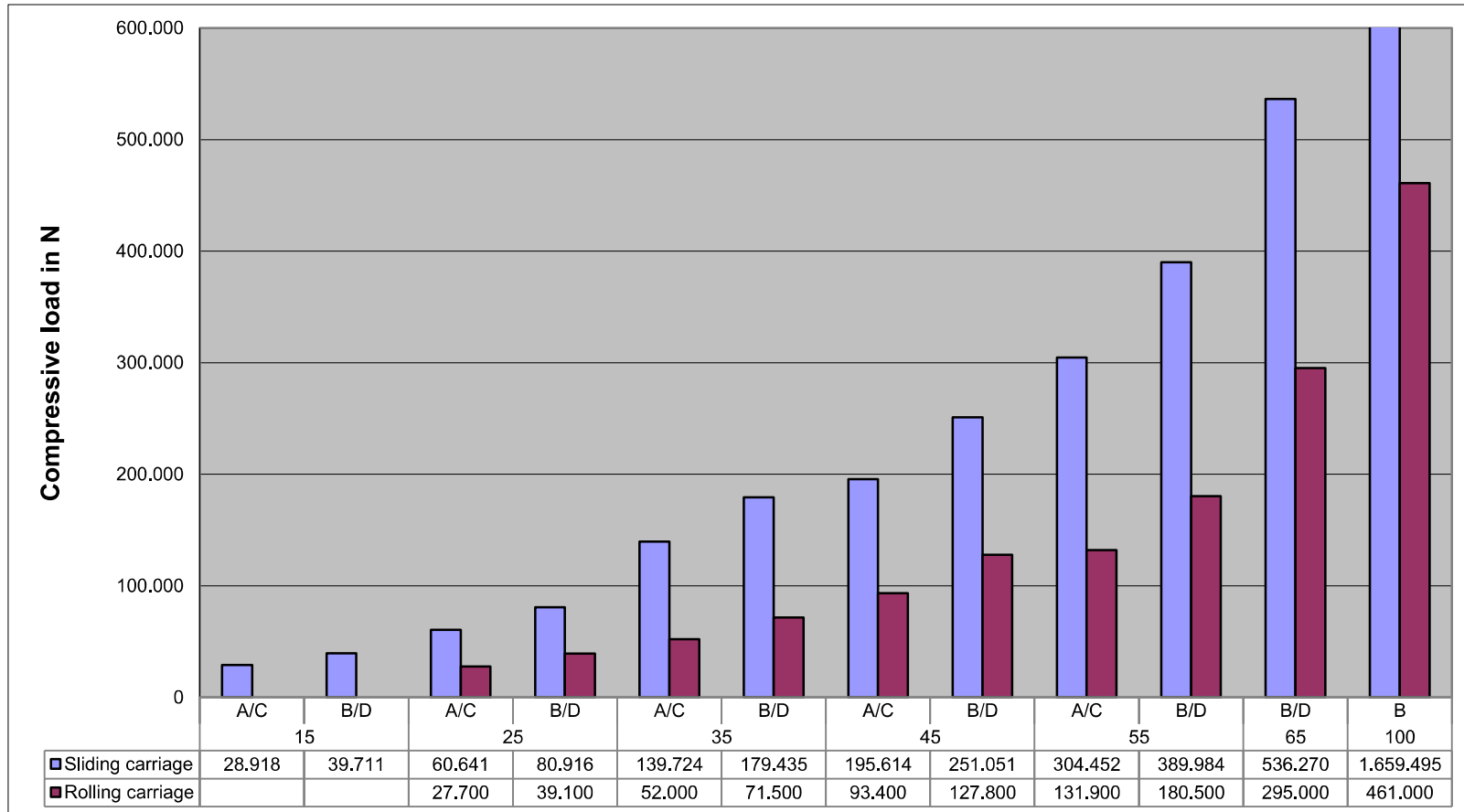
Only on customer request and according to his specs

➔ no standard product

- Play fixed or adjustable
- Wide (A/B) or narrow (C/D) carriages or special
- Length of MR-carriages or special (shorter/longer)
- Various lubrication options
- All MR-sizes available!
- With size 15 also the rails are special!



Comparison of compressive load (all figures in N)



Safety factor: sliding >10 roller <2

Customers of Sliding carriages

Hegenscheidt (Radsatz-Drehmaschine)

Tracto (Rohrbiegemaschine)

MAE Götzen (Pressen/Richten)

Gräbener Pressen (Presse)

BWG (Gießereitechnik)

Siempelkamp (Rückbau Kernkraftwerk)

Voestalpine (Stahlwerk)

FronTone (Crashtests)

Starrag Heckert (BAZ)

Robert Bosch (motor-welding)

Koller (Seilaufwicklung)



Sliding carriages solve problems!

You think, the sliding carriage is too expensive?
Then you don't have a problem.

Sliding carriages are handmade. Of course they
are much more expensive as mass-products.

