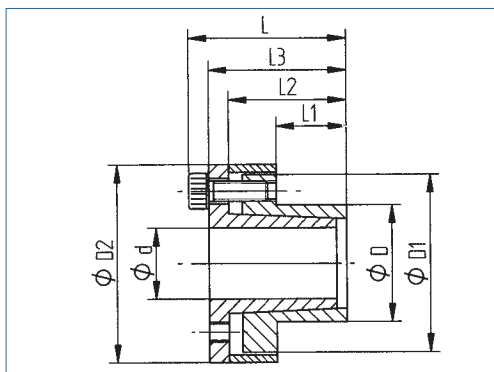


Locking Device

optional
nickel-plated version
optional full stainless
steel version



transmittable torque	medium
surface pressure on hub	low
self-centering	yes
axial movement of the hub during assembly	no
height D/d	flat
overall length	medium

Order Code

KBS 80 - 95 x 120

Type

Ød

ØD

Recommended finishing tolerances of contact surfaces are: shaft h8 / hub H8

Inner / Outer Ø dxD	Torque T Nm	Dimensions				Outer Flange D1	Inner Flange D2	Surface pressure on		Screws			Mass kg
		L mm	L1 mm	L2 mm	L3 mm			Shaft Pw N/mm ²	Hub Pn N/mm ²	No.	ISO 4762	TA Nm	
6 x 14	12	25.5	10	18.5	22.5	22	25	190	80	3	M3x10	2.2	0.02
8 x 15	29	29.5	12	21.5	25.5	24	27	205	110	3	M4x12	5	0.06
9 x 16	31	31.5	14	23.5	27.5	25	28	150	85	3	M4x12	5	0.065
10 x 16	35	31.5	14	23.5	27.5	25	28	140	85	3	M4x12	5	0.08
11 x 18	52	31.5	14	23.5	27.5	28	32	170	105	4	M4x12	5	0.09
12 x 18	58	31.5	14	23.5	27.5	28	32	150	100	4	M4x12	5	0.09
14 x 23	69	31.5	14	23.5	27.5	35	39	140	80	4	M4x12	5	0.11
15 x 24	170	42.5	16	29.5	36.5	40	45	158	98	4	M6x18	17	0.21
16 x 24	180	42.5	16	29.5	36.5	40	45	148	98	4	M6x18	17	0.22
17 x 26	200	45.5	19	32.5	39.5	42	47	180	125	4	M6x18	17	0.22
18 x 26	200	45.5	19	32.5	39.5	42	47	180	125	4	M6x18	17	0.22
19 x 27	210	45.5	19	32.5	39.5	43	49	170	120	4	M6x18	17	0.25
20 x 28	220	45.5	19	32.5	39.5	44	50	160	115	4	M6x18	17	0.25
22 x 32	250	52.5	26	39.5	46.5	48	54	115	80	4	M6x18	17	0.30
24 x 34	395	52.5	26	39.5	46.5	50	56	146	102	6	M6x18	17	0.35
25 x 34	410	52.5	26	39.5	46.5	50	56	140	102	6	M6x18	17	0.35
28 x 39	465	52.5	25.5	39.5	46.5	55	61	135	98	6	M6x18	17	0.45
30 x 41	510	52.5	25.5	39.5	46.5	57	62	127	90	6	M6x18	17	0.45
32 x 43	705	52.5	25.5	39.5	46.5	59	65	146	108	8	M6x18	17	0.45
35 x 47	790	58.5	31.5	45.5	52.5	62	69	105	80	8	M6x18	17	0.55
38 x 50	860	58.5	31.5	45.5	52.5	66	72	100	76	8	M6x18	17	0.60
40 x 53	900	58.5	31.5	45.5	52.5	69	75	96	72	8	M6x18	17	0.65
42 x 55	940	58.5	31.5	45.5	52.5	71	78	90	70	8	M6x18	17	0.90
45 x 59	1840	79	45	62.5	71	80	86	110	85	8	M8x22	41	1.10
48 x 62	2000	79	45	62.5	71	81	87	105	80	8	M8x22	41	1.10
50 x 65	2100	79	45	62.5	71	86	92	100	75	8	M8x22	41	1.25
55 x 71	2580	89	55	72.5	81	92	98	85	65	9	M8x22	41	1.50
60 x 77	2800	89	55	72.5	81	98	104	75	60	9	M8x22	41	1.60
65 x 84	3050	89	55	72.5	81	105	111	70	55	9	M8x22	41	1.90
70 x 90	5250	106.5	65	86.5	96.5	113	119	90	70	9	M10x25	83	2.85
75 x 95	5600	106.5	65	86.5	96.5	119	126	80	65	9	M10x25	83	2.95
80 x 100	8000	106.5	65	86.5	96.5	125	131	100	80	12	M10x25	83	3.30
85 x 106	8500	106.5	65	86.5	96.5	131	137	95	75	12	M10x25	83	3.60
90 x 112	9000	106.5	65	86.5	96.5	137	144	90	75	12	M10x25	83	3.90
95 x 120	11000	106.5	65	86.5	96.5	142	149	100	80	14	M10x25	83	4.30
100 x 125	15000	106.5	65	86.5	96.5	147	154	120	95	18	M10x25	83	4.65
110 x 140	16000	140	90	114	128	172	180	80	65	12	M12x35	145	8.20
120 x 155	17500	140	90	114	128	187	198	70	55	12	M12x35	145	10.50